
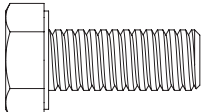
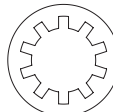
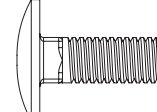
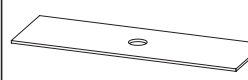
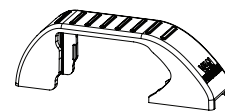
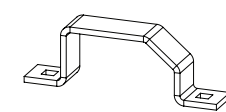
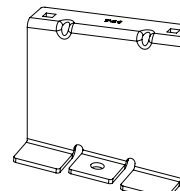
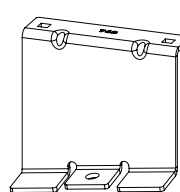
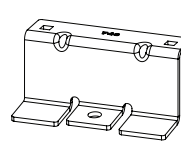
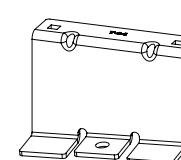
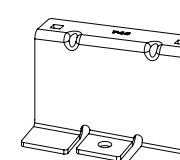


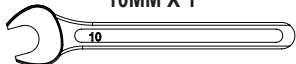
IN8091

ULTI Bars - X3

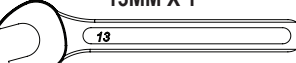
FX4016 X12 (M6) 	FX4018 X6 (M8X20) 	FX4019 X6 (M8) 	FX4042 X12 (M6X16) 	MA6018 X6 	MA6065 X6 	ME0203 X6 	ME0741 X1 
ME0742 X1 	ME0743 X2 	ME0744 X1 	ME0745 X1 				

TOOLS REQUIRED

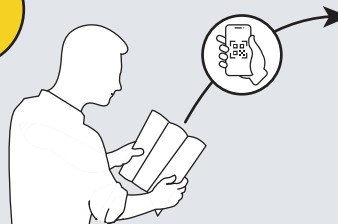
10MM X 1



13MM X 1



FLAT HEAD SCREWDRIVER X 1

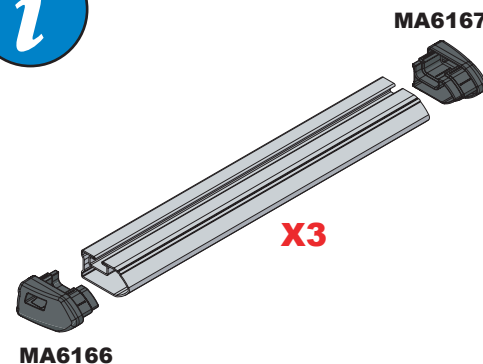


EN - SAFETY AND PRODUCT INFORMATION
 DE - SICHERHEITS- UND PRODUKTINFORMATIONEN
 FR - INFORMATIONS DE SÉCURITÉ ET DU PRODUIT
 NL - VEILIGHEIDS- EN PRODUCTINFORMATIE
 ES - INFORMACIÓN DE SEGURIDAD Y DEL PRODUCTO
 IT - INFORMAZIONI SULLA SICUREZZA E SUL PRODOTTO

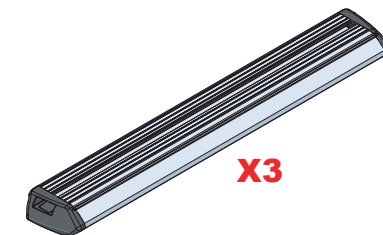
SV - SÄKERHETS- OCH PRODUKTINFORMATION
 DA - SIKKERHEDS- OG PRODUKTINFORMATION
 NO - SIKKERHETS- OG PRODUKTINFORMASJON
 PL - INFORMACJE O BEZPIECZENSTWIE I PRODUKCIE
 CS - INFORMACE O BEZPEČNOSTI A PRODUKTU



Customercare@van-guard.co.uk
UK +44 (0) 1392 368 351



ULTI Bar Trade
(Steel)



ULTI Bar+
(Aluminium)

This FITTING INSTRUCTION is the property of VAN GUARD ACCESSORIES LTD. and must not be used for manufacturing purposes, copied nor communicated in any way to third parties without written permission from VAN GUARD ACCESSORIES LTD.

IN8091_G (CN:00138)

Van Guard Accessories Ltd
 Fair Oak Close, Exeter Airport Business Park,
 Exeter, Devon, EX5 2UL
www.van-guard.co.uk

271-3

Vehicle:

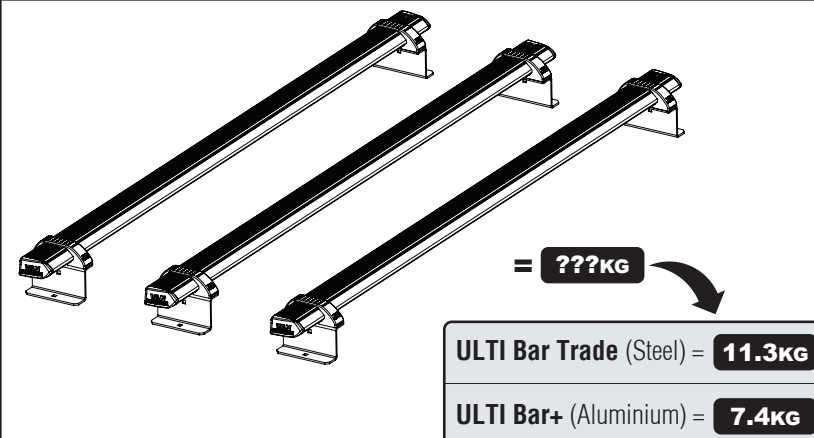
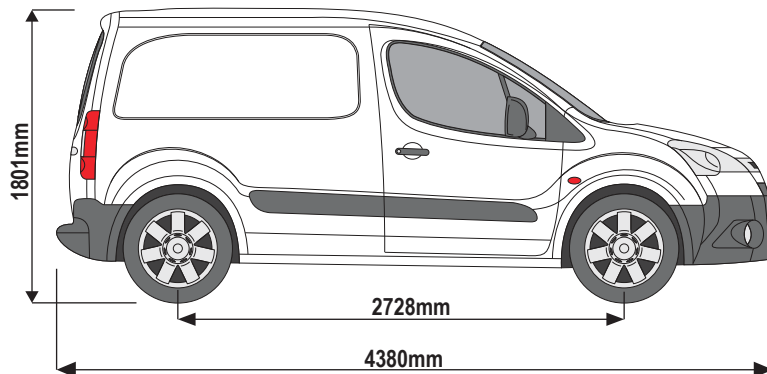
Citroen Berlingo: 2008 - 2018

Peugeot Partner: 2008 - 2018

Wheel Base: SWB (L1)

Roof Height: Standard (H1)

Rear Doors: Twin / Tailgate



271-3

Vehicle:

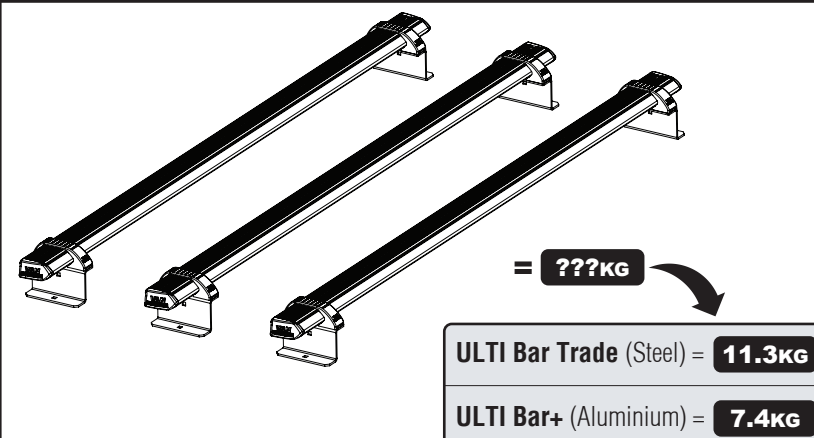
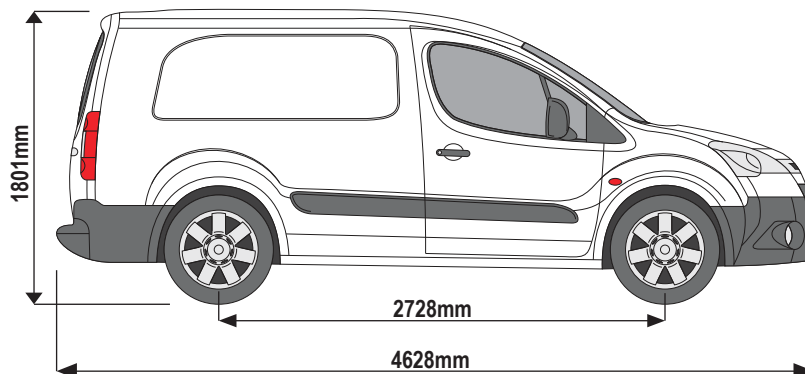
Citroen Berlingo: 2008 - 2018

Peugeot Partner: 2008 - 2018

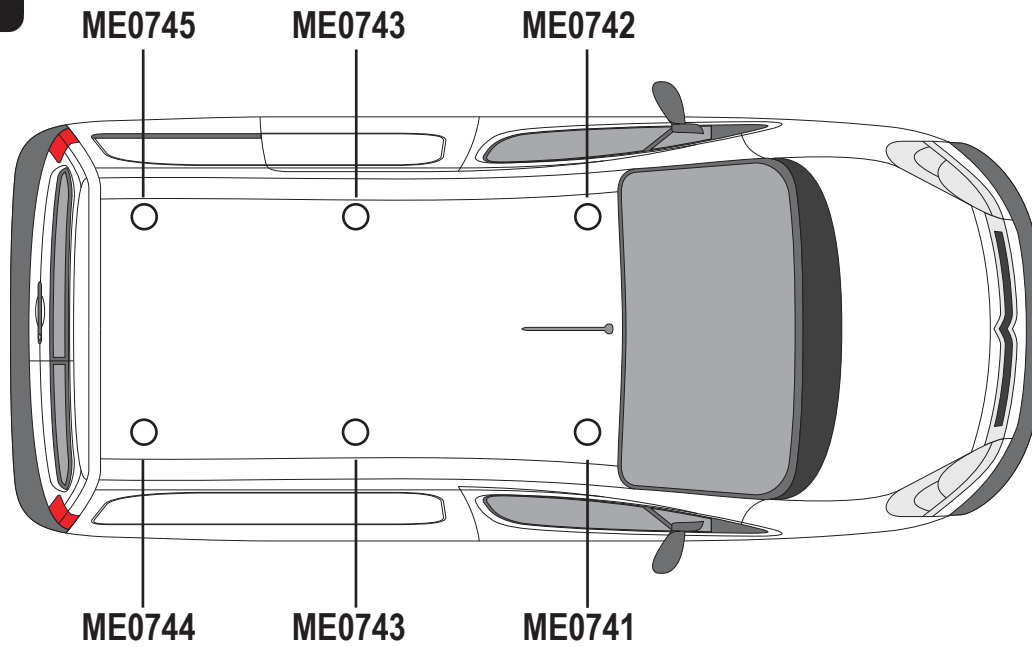
Wheel Base: LWB (L2)

Roof Height: Standard (H1)

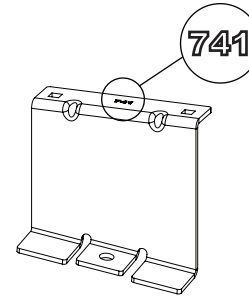
Rear Doors: Twin / Tailgate



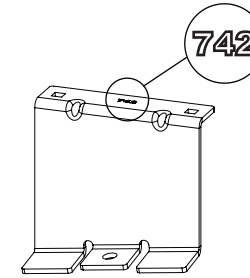
1



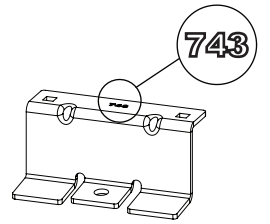
ME0741



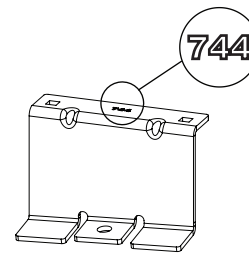
ME0742



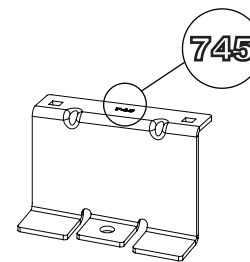
ME0743



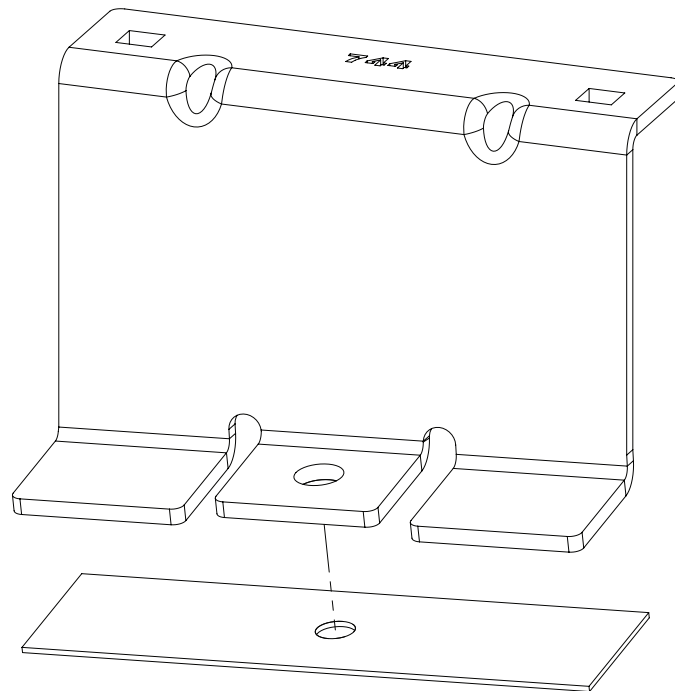
ME0744



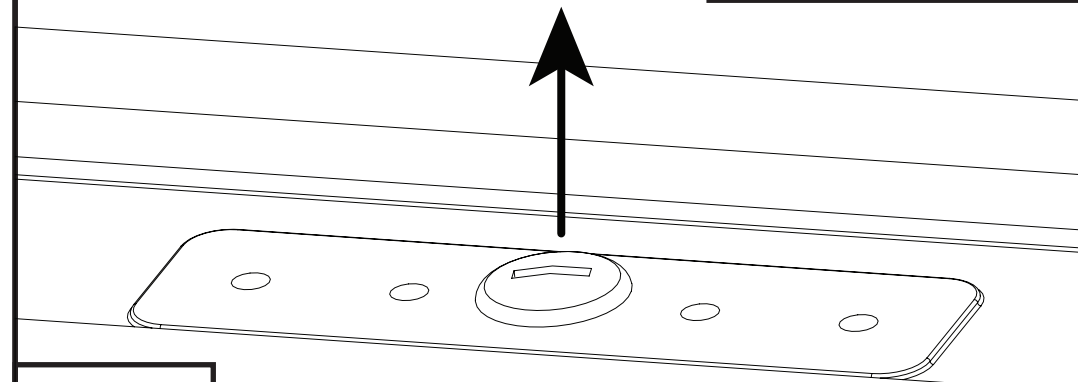
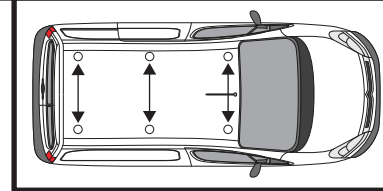
ME0745



2



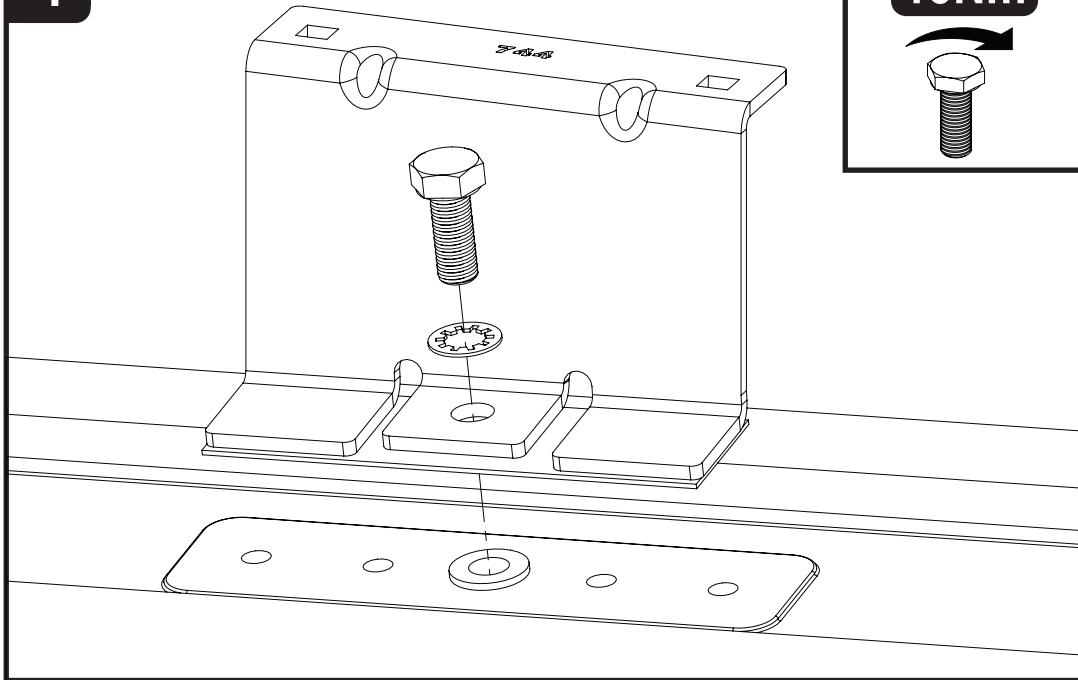
3



FLAT HEAD

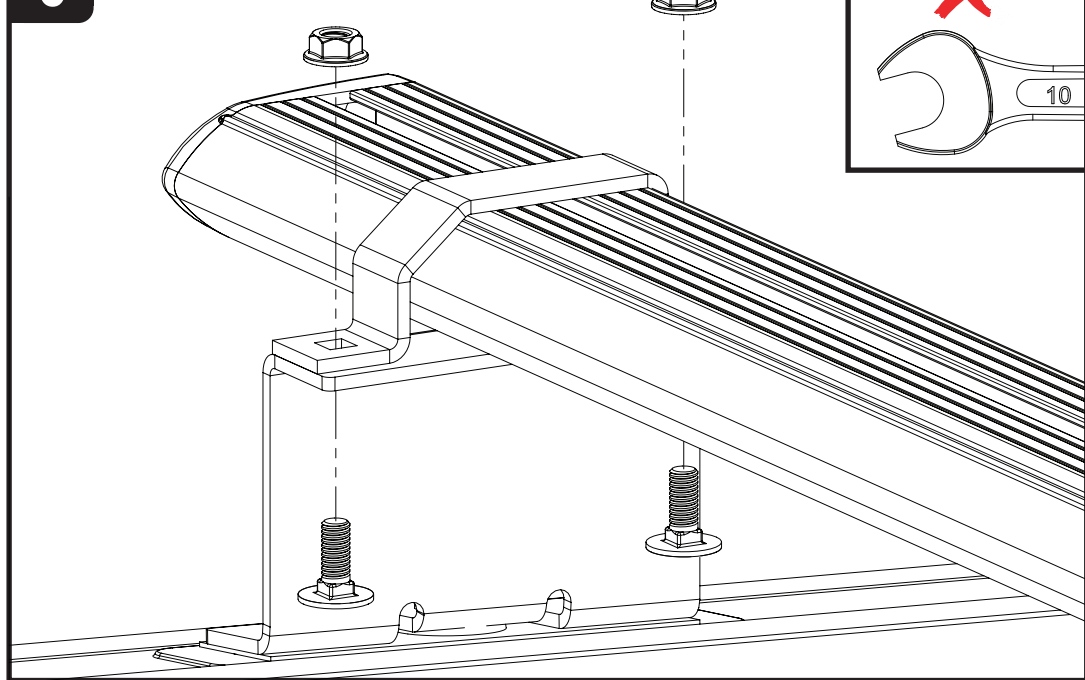


4

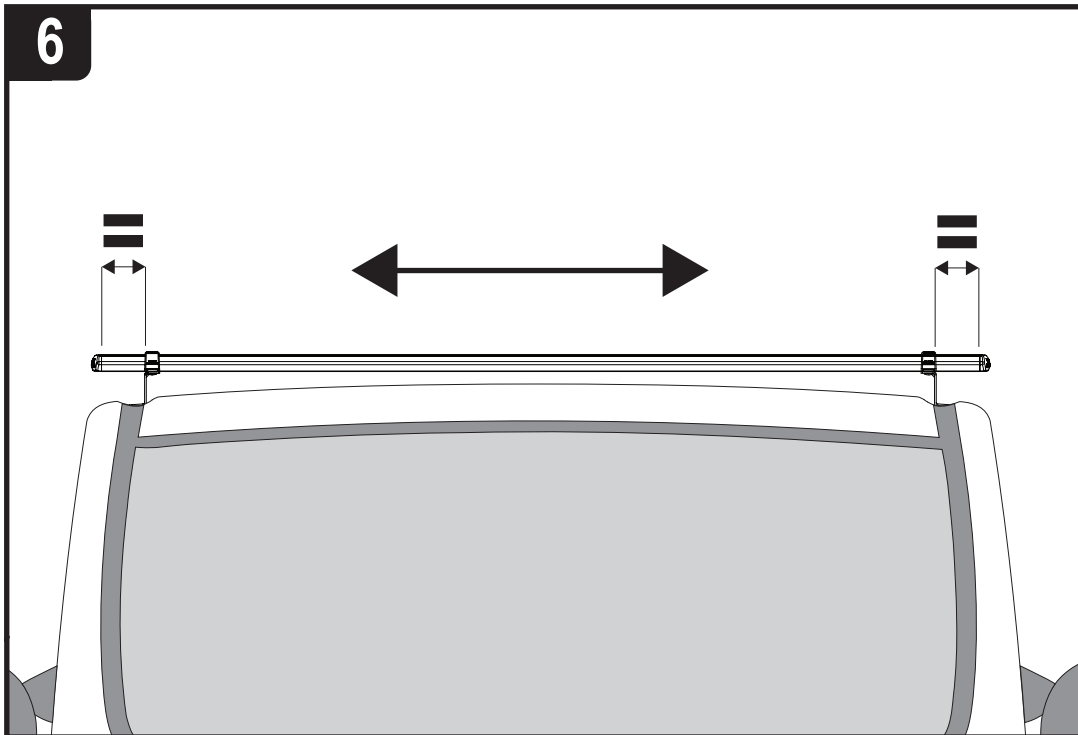


15Nm

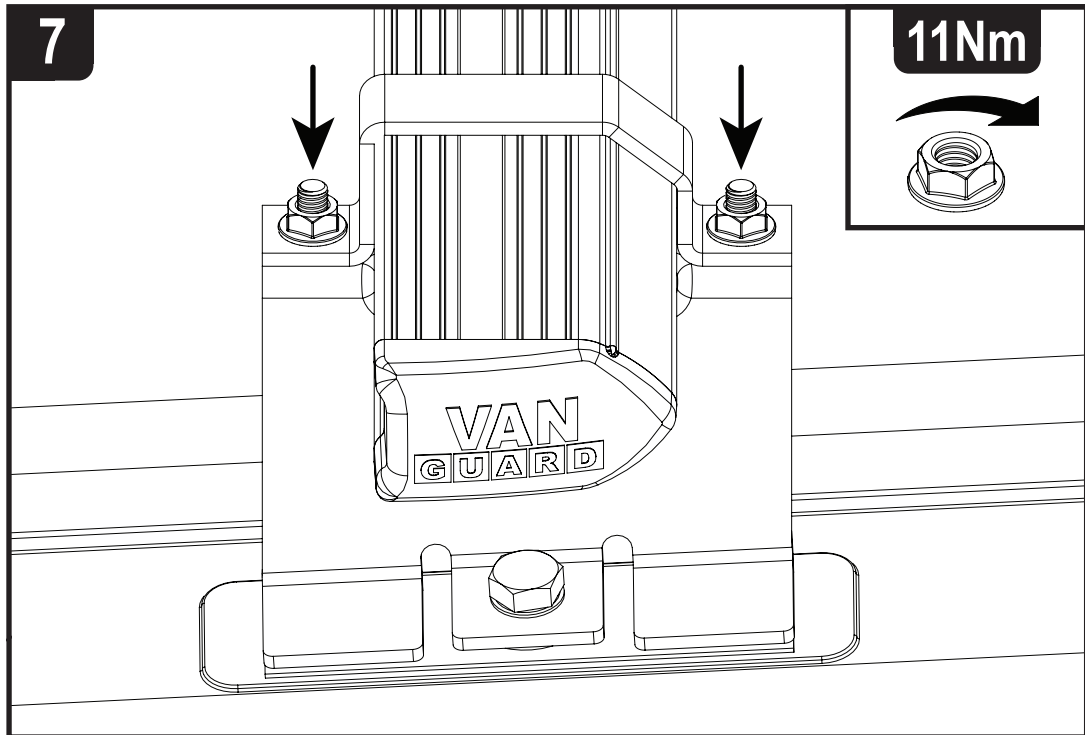
5



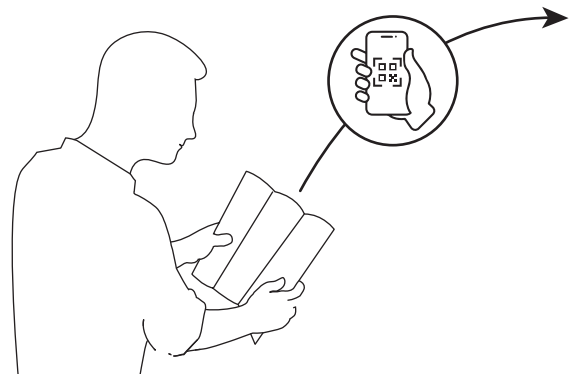
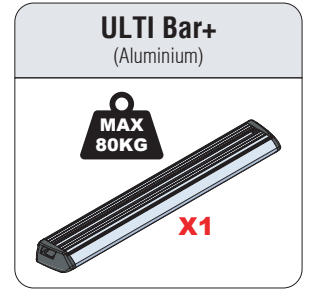
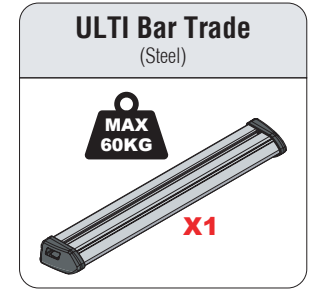
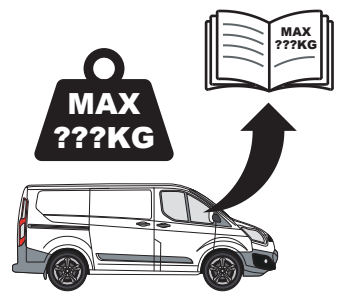
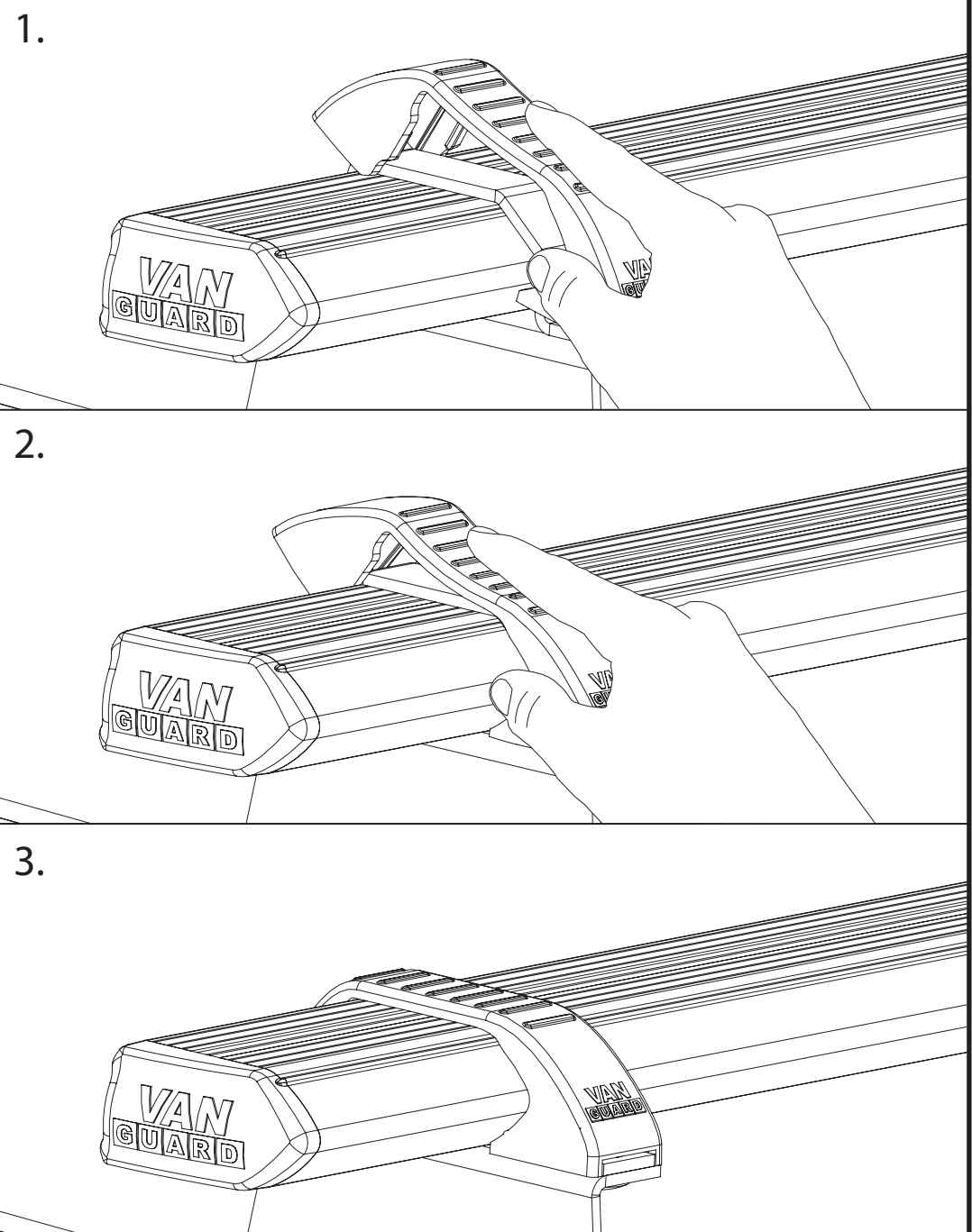
6



7



11Nm



EN - SAFETY AND PRODUCT INFORMATION
DE - SICHERHEITS- UND PRODUKTINFORMATIONEN
FR - INFORMATIONS DE SÉCURITÉ ET DU PRODUIT
NL - VEILIGHEIDS- EN PRODUCTINFORMATIE
ES - INFORMACIÓN DE SEGURIDAD Y DEL PRODUCTO
IT - INFORMAZIONI SULLA SICUREZZA E SUL PRODOTTO

SV - SÄKERHETS- OCH PRODUKTINFORMATION
DA - SIKKERHEDS- OG PRODUKTINFORMATION
NO - SIKKERHETS- OG PRODUKTINFORMASJON
PL - INFORMACJE O BEZPIECZENSTWIE I PRODUKCJE
CS - INFORMACE O BEZPEČNOSTI A PRODUKTU